

Models
EPA, EPD, EPM, EXM
'CT' Models

TEMPSTAR®

Heating and Cooling Products



Representative photo only, some models may vary in appearance.

1½ THRU 5 TON COILS

FEATURES

- 'CT' - Tin Coated Copper Tubing for additional corrosion protection
- Copper Tube/ Lanced Aluminum Fin Coil
- Three Primary Condensate Drain Connections
- Field Selectable Secondary Drain Location
- Polymer Thermoset Drain Pan (Except 5 Ton EXM/EPM Horizontal Pan)
- Sweat Connect
- Dry Air Holding Charge

UNCASED Models "A" Coils

- Upflow/Downflow Applications
- EPA Coils Feature Orifice Pin Refrigerant Metering
- Thermostatic Expansion Valve Kit Available for Orifice Pin Coils
- Designed To Match EF Electric Furnaces

ORIFICE PIN Models "Cased Coils"

- EPD - Upflow / Downflow
- EPM - Upflow / Downflow / Horizontal
- Orifice Pin Refrigerant Metering
- Upflow Cabinet Widths and Horizontal Cabinet Depths are Matched to 40" & 48" Gas Furnaces
- Cabinet Contains an "Uncased" Type Coil for Rating Purposes
- Internally Lined with Glass Fiber Insulation
- Painted Steel Cabinet
- Removable Front Access Panel

EXPANSION VALVE Models "Cased Coils"

- EXM - Upflow / Downflow / Horizontal
- Thermostatic Expansion Valve Refrigerant Metering
- Upflow Cabinet Widths and Horizontal Cabinet Depths are Matched to 40" & 48" Gas Furnaces
- Cabinet Contains an "Uncased" Type Coil for Rating Purposes
- Internally Lined with Glass Fiber Insulation
- Prepainted Steel Cabinet
- Removable Front Access Panel



Rated in accordance with ARI Standard 210. Certification applies only when used with proper components as listed with ARI.

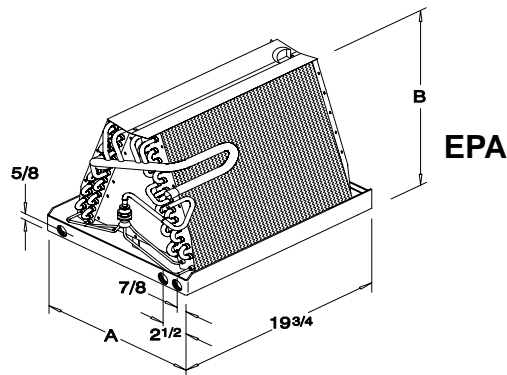


International Comfort Products Corporation, LLC
651 Heil-Quaker Ave.
Lewisburg, Tennessee 37091

RESIDENTIAL AND COMMERCIAL SYSTEMS • SPLIT SYSTEMS • PACKAGED AIR CONDITIONERS • COMBINATION GAS / ELECTRIC UNITS • HEAT PUMPS • AIR HANDLERS • MANUFACTURED HOME AIR CONDITIONERS • GAS, OIL AND ELECTRIC FURNACES

484 21 3401 02
June 2005

DIMENSIONS - "A" COILS

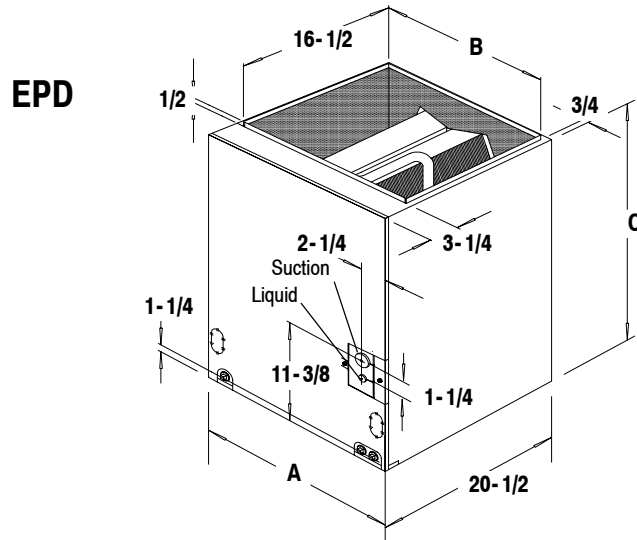


"A" COILS, EEA, EPA & EXA

Model No.	Dimensions (inches)		Weights		Refrigerant Control	Connection Sweat	
	A	B	Net	Shpg.		Liq.	Suc.
EPA18B15CT (1)	14-3/4	10-1/2 (13-1/2) (1)	14	18	.051	3/8	3/4
EPA24B15CT	14-3/4	14-1/2	17	21	.057	3/8	3/4
EPA24F19CT	18-1/8	14-1/2	26	30	.057	3/8	3/4
EPA30B15CT	14-3/4	16-1/2	19	23	.065	3/8	3/4
EPA30F19CT	18-1/8	16-1/8	22	26	.065	3/8	3/4
EPA36B15CT	14-3/4	18-5/8	23	27	.073	3/8	3/4
EPA36F19CT	18-1/8	18-5/8	26	30	.073	3/8	3/4
EPA36J22CT	21-7/8	18	30	34	.073	3/8	3/4
EPA42F19CT	18-1/8	18-1/2	30	34	.078	3/8	7/8
EPA42J22CT	21-7/8	18	35	40	.078	3/8	7/8
EPA48F19CT	18-1/8	20-1/2	33	39	.079	3/8	7/8
EPA48J22CT	21-7/8	21-7/8	40	48	.079	3/8	7/8
EPA48N26CT	25-1/2	21-7/8	46	53	.079	3/8	7/8
EPA48L24CT	23-1/2	22-1/4	46	53	.079	3/8	7/8
EPA60J22CT	21-7/8	26-1/4	43	50	.092	3/8	7/8
EPA60N26CT	25-1/2	26	43	50	.092	3/8	7/8
EPA60L24CT	23-1/2	26-1/2	43	50	.092	3/8	7/8

NOTE: (1) EPA18B15A have a manifold height of 13 1/2 and they will not fit EF Series electric furnaces.

DIMENSIONS - DUAL PURPOSE UPFLOW / DOWNFLOW "EPD" COILS



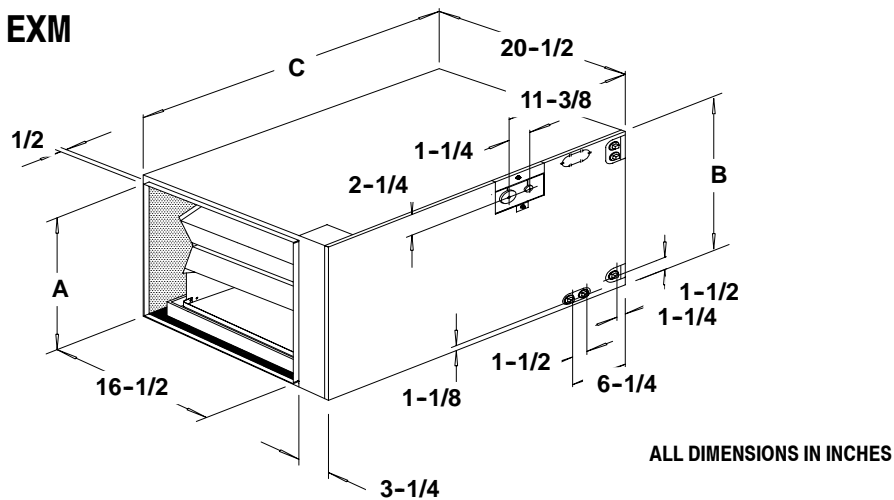
ALL DIMENSIONS IN INCHES

Model No.	Dimensions (Inches)			Weights		Refrigerant Control	Connection	
	A	B	C	Net	Shpg.		Liq. O.D.	Suc. O.D.
EPD18B15CT	15-1/2	14	15	19	23	.051	3/8	3/4
EPD24B15CT	15-1/2	14	18	27	31	.057	3/8	3/4
EPD24F19CT	19-1/8	17-5/8	18	34	38	.057	3/8	3/4
EPD30B15CT	15-1/2	14	18	29	33	.065	3/8	3/4
EPD30F19CT	19-1/8	17-5/8	18	34	38	.065	3/8	3/4
EPD36B15CT	15-1/2	14	20	33	37	.073	3/8	3/4
EPD36F19CT	19-1/8	17-5/8	20	39	43	.073	3/8	3/4
EPD36J22CT	22-3/4	21-1/4	24	44	48	.073	3/8	3/4
EPD42F19CT	19-1/8	17-5/8	20	45	49	.078	3/8	7/8
EPD42J22CT	22-3/4	21-1/4	24	50	54	.078	3/8	7/8
EPD48F19CT	19-1/8	17-5/8	20	47	52	.079	3/8	7/8
EPD48J22CT	22-3/4	21-1/4	24	56	62	.079	3/8	7/8
EPD48L24CT	24-1/2	22-7/8	24	56	62	.079	3/8	7/8
EPD48N26CT	26 3/8	24-7/8	24	56	62	.079	3/8	7/8
EXD48J22CT	22-3/4	21-1/4	29-3/4	50	58	TXV	3/8	7/8
EPD60J22CT	22-3/4	21-1/4	30	63	70	.092	3/8	7/8
EPD60N26CT	26 3/8	24-7/8	28	78	85	.092	3/8	7/8
EPD60L24CT	24-1/2	22-7/8	28	80	89	.092	3/8	7/8

(1) Orifice Pin shown is installed at the time of manufacture.

DIMENSIONS - CASED HORIZONTAL COILS - EPM / EXM

EPM / EXM



Model No.	Dimensions (Inches)			Weights		Refrigerant Control	Connection	
	A	B	C	Net	Shpg.		Sweat	
						Liq.	Suc.	
EPM24B15CT	14	15-1/2	22	27	31	.057	3/8	3/4
EXM24B15CT	14	15-1/2	22	33	37	TXV	3/8	3/4
EXM24F19CT	17-5/8	19-1/8	22	33	37	TXV	3/8	3/4
EPM30B15CT	14	15-1/2	22	29	33	.065	3/8	3/4
EPM30F19CT	17-5/8	19-1/8	22	33	37	.065	3/8	3/4
EPM36B15CT	14	15-1/2	22	33	37	.073	3/8	3/4
EPM36F19CT	17-5/8	19-1/8	22	39	43	.073	3/8	3/4
EPM36J22CT	21-1/4	22-3/4	22	38	42	.073	3/8	3/4
EXM36B15CT	14	15-1/2	22	40	44	TXV	3/8	3/4
EXM36F19CT	17-5/8	19-1/8	22	38	42	TXV	3/8	3/4
EXM36J22CT	21-1/4	22-3/4	24	39	43	TXV	3/8	3/4
EPM42F19CT	17-5/8	19-1/8	22	45	49	.078	3/8	7/8
EPM42J22CT	21-1/4	22-3/4	24	50	54	.078	3/8	7/8
EXM42F19CT	17-5/8	19-1/8	30	41	45	TXV	3/8	7/8
EXM42J22CT	21-1/4	22-3/4	30	43	48	TXV	3/8	7/8
EPM48F19CT	17-5/8	19-1/8	30	47	52	.079	3/8	7/8
EPM48J22CT	21-1/4	22-3/4	30	56	62	.079	3/8	7/8
EPM48L24CT	22-7/8	24-1/2	30	65	71	.079	3/8	7/8
EPM48N26CT	24-7/8	26-1/2	30	59	65	.079	3/8	7/8
EXM48J22CT	21-1/4	22-3/4	30	47	52	TXV	3/8	7/8
EXM48L24CT	22-7/8	24-1/2	30	65	71	TXV	3/8	7/8
EXM48N26CT	24-7/8	26-1/2	30	78	85	TXV	3/8	7/8
EPM60J22CT	21-1/4	22-3/4	33	63	70	.092	3/8	7/8
EPM60L24CT	22-7/8	24-1/2	33	72	79	.092	3/8	7/8
EPM60N26CT	24-7/8	26-1/2	33	78	85	.092	3/8	7/8
EXM60L24CT	22-7/8	24-1/2	33	83	92	TXV	3/8	7/8
EXM60N26CT	24-7/8	26-1/2	33	87	96	TXV	3/8	7/8

PERFORMANCE DATA (CFM vs DRY/WET STATIC @ INCHES WATER COLUMN)

Model No.	400		500		600		700		800		900		1000		1100		1200		1300		1400		
	Dry	Wet	Dry	Wet	Dry	Wet	Dry	Wet	Dry	Wet	Dry	Wet	Dry	Wet	Dry	Wet	Dry	Wet	Dry	Wet	Dry	Wet	
EP(A,D)18B	.06	.08	.09	.12	.13	.16	.18	.20	.23	.26													
EP(A,D)24B,F					.11	.12	.14	.15	.18	.19	.23	.23	.27	.29									
EPM24B					.12	.13	.17	.18	.20	.22	.25	.28	.30	.34									
EP(A,D)30B									.18	.22	.22	.27	.28	.33	.33	.39	.39	.46					
EPM30B									.20	.23	.26	.29	.30	.35	.36	.43	.42	.50					
EP(A,D)30F									.13	.17	.16	.20	.19	.24	.22	.28	.26	.33					
EPM30F									.14	.19	.17	.23	.20	.27	.24	.31	.28	.36					
EP(A,D)36B									.18	.20	.22	.24	.27	.30	.32	.37	.37	.44	.43	.50	.50	.59	
EPM36B									.19	.22	.24	.29	.29	.34	.35	.40	.42	.47	.48	.55	.55	.63	
EP(A,D)36F,J													.19	.21	.21	.24	.25	.28	.29	.33	.33	.37	
EPM36F,J													.19	.23	.22	.27	.25	.31	.29	.35	.34	.40	
EXM36B											.20	.23	.24	.28	.29	.33	.34	.39	.39	.44			
EXM36F											.19	.22	.23	.27	.28	.32	.32	.37	.37	.42			
EXM36J														.16	.23	.19	.27	.22	.31	.25	.36	.29	.41
EP(A,D)42F														.21	.27	.25	.32	.29	.37	.33	.43	.33	.49
EPM42F														.22	.27	.26	.33	.30	.38	.35	.44	.40	.50
EP(A,D)42J														.18	.23	.21	.27	.24	.31	.26	.35		
EPM42J														.18	.24	.20	.28	.24	.33	.26	.36		
EXM42F														.19	.24	.22	.29	.26	.33	.30	.38	.35	.43
EXM42J														.18	.23	.21	.27	.24	.31	.28	.36	.33	.41

Model No.	1000		1100		1200		1300		1400		1500		1600		1700		1800		1900		2000	
	Dry	Wet	Dry	Wet	Dry	Wet	Dry	Wet	Dry	Wet	Dry	Wet	Dry	Wet	Dry	Wet	Dry	Wet	Dry	Wet	Dry	Wet
EP(A,D)48F			.20	.25	.23	.29	.27	.35	.32	.40	.36	.46	.41	.52	.47	.58						
EPM48F			.20	.25	.25	.30	.28	.36	.34	.41	.38	.49	.43	.53	.50	.60						
EP(A,D)48J					.21	.25	.24	.28	.28	.33	.31	.37	.35	.42	.38	.46						
EPM48J					.22	.27	.25	.32	.29	.36	.33	.40	.37	.45	.41	.51						
EP(A,D)48L					.18	.23	.20	.27	.23	.30	.26	.34	.29	.40	.32	.43						
EPM48L					.18	.23	.21	.28	.24	.31	.27	.35	.30	.39	.33	.44						
EP(A,D)48N					.17	.23	.20	.27	.23	.30	.26	.34	.28	.40	.32	.42						
EPM48N					.18	.23	.21	.28	.24	.31	.27	.35	.30	.39	.33	.44						
EXM48J					.24	.27	.27	.30	.31	.35	.34	.39	.37	.44								
EXM48L,N					.23	.26	.26	.29	.29	.33	.32	.37	.35	.41								
EP(A,D)60J									.16	.19	.18	.21	.21	.26	.28	.29	.26	.34	.30	.38	.34	.43
EPM60J									.21	.25	.24	.29	.27	.33	.30	.37	.33	.41	.37	.46	.40	.51
EP(A,D)60L											.20	.24	.23	.28	.25	.31	.28	.35	.31	.38	.35	.43
EPM60L											.22	.26	.24	.30	.27	.33	.30	.37	.34	.41	.37	.46
EP(A,D)60N											.20	.24	.23	.28	.25	.31	.28	.35	.31	.38	.35	.43
EPM60N											.20	.24	.22	.28	.25	.31	.28	.35	.31	.38	.34	.42
EXM60L,N									.19	.24	.22	.27	.25	.31	.28	.35	.32	.39	.36	.44	.40	.49

MODEL NUMBER IDENTIFICATION GUIDE - A COILS

E		P	A	36	B15	C	T	TINNED COPPER TUBES	
EVAPORATOR						Sales Code			
E = Entry Level Orifice Pin								Cabinet / Drain Pan Width	
P = Orifice Pin								B15 = 15 1/2" Cabinet / 14 3/4" Drain Pan	
X = TXV								F19 = 19 1/8" Cabinet / 18 1/8" Drain Pan	
A = Loose Coil, No Cabinet								J22 = 22 3/4" Cabinet / 21 7/8" Drain Pan	
D = Dual Purpose, Upflow / Downflow								L24 = 24 1/2" Cabinet / 14 1/2" Drain Pan	
M = Multi Purpose, Upflow / Downflow / Horizontal								N26 = 26 3/8" Cabinet / 25 1/2" Drain Pan	
P = Plenum Coil								Nominal Capacity	
								18 = 1 1/2 Ton, 24 = 2 Ton, 30 = 3 1/2 Ton	
								36 = 3 Ton, 42 = 3 1/2 Ton, 48 = 4 Ton, 60 = 5 Ton	